

DHN-72X16(BB)


575~585W

High Efficiency Single Glass PV Module

Comprehensive Products & System Certificates

IEC 61215 / IEC 61730 / CE / INMETRO
ISO 45001
2018/International standards for occupational health & safety
ISO 14001
2015/Standards for environmental management system
ISO 9001
2015/Quality management system

 Material & technology warranty

 Linear power output warranty



Higher power, longer service life, linear power warranty for 30 years



TOPCon cells have a lower decay rate,
≤ 1% in the first year and ≤ 0.4% in the second year



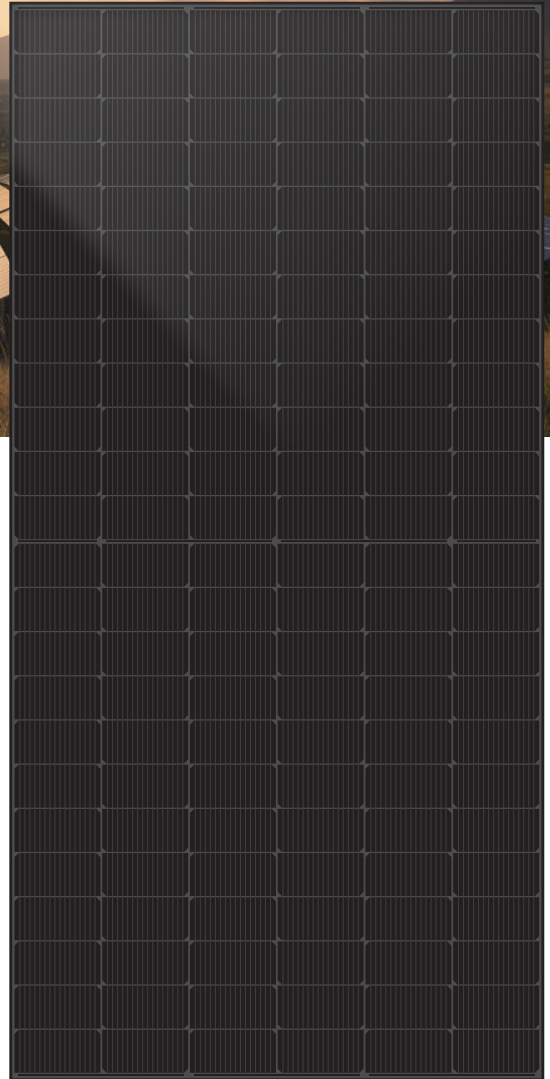
Lower temperature coefficient, better high-temperature resistance,
reduced power loss, and better high-temperature resistance



Better weak light performance, higher power generation under
low light conditions, with 0.5% -1% more power generation

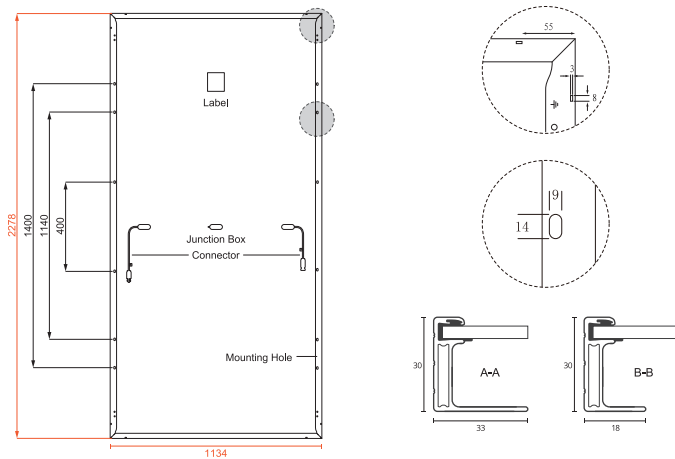


LECO laser assisted sintering technology,
reduces contact resistance and improves efficiency by 0.2% -0.5%

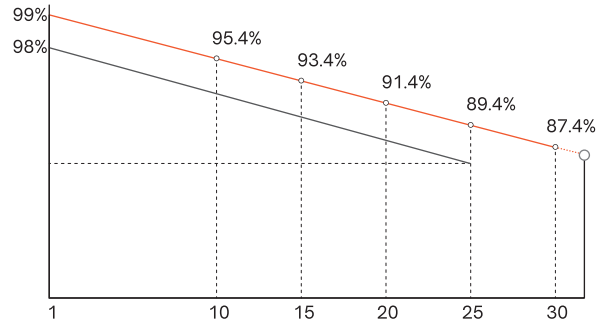


DHN-72X16(BB) 575~585W

Design



30-Year Linear Power Output Warranty



- DAH Solar linear power output guarantee
- Standard linear power output guarantee

Mechanical Specification

No. of Cells	144 (6×24)
Weight	27.3kg
Cells Type	N-type 182×91mm
Dimension (L×W×T)	2278×1134×30mm
Packing	36pcs/Pallet, 720pcs/40HQ

Cable	4.0mm ² , 300/200mm in length, (Including connector) length can be customized
Glass	3.2mm High Transmission, Antireflection Coating
Junction Box	IP68, 3 Bypass Diodes
Connector	MC4 Compatible

STC-Electrical Characteristics

Module Type	DHN-72X16(BB)		
	575	580	585
Maximum Power (P _{max} /W)	575	580	585
Open-circuit Voltage (V _{oc} /V)	51.2	51.4	51.6
Maximum Power Voltage (V _{mp} /V)	43.4	43.6	43.8
Short-circuit Current (I _{sc} /A)	14.08	14.14	14.20
Maximum Power Current (I _{mp} /A)	13.25	13.30	13.36
Module Efficiency (%)	22.26	22.45	22.65

STC-Standard Test Environment: Irradiance 1000W/m², Cell temperature 25°C, Spectrum AM1.5

NOCT-Electrical Characteristics

Maximum Power (P _{max} /W)	432	436	440
Open-circuit Voltage (V _{oc} /V)	48.6	48.8	49.0
Maximum Power Voltage (V _{mp} /V)	41.2	41.4	41.6
Short-circuit Current (I _{sc} /A)	11.37	11.42	11.46
Maximum Power Current (I _{mp} /A)	10.49	10.53	10.57

NOCT-Standard Test Environment: Irradiance 800W/m², Ambient temperature 20°C, Spectrum AM1.5, Wind speed 1m/s

Operating Parameters

Maximum System Voltage	1500V DC
Operating Temperature	-40 ~ +85°C
Maximum Series Fuse Rating	25A
Nominal Operating Cell Temperature	45°C±2°C
Application Level	Class A

Temperature Coefficient

Temperature Coefficient of I _{sc} (ΔI _{sc})	0.046%/°C
Temperature Coefficient of V _{oc} (βV _{oc})	-0.25%/°C
Temperature Coefficient of P _{max} (γP _{mp})	-0.29%/°C
Snow load, frontside / Wind load, backside	5400Pa/2400Pa